

Melbourne Head Office
Schiavello (Vic) Pty Ltd
1 Sharps Road
Tullamarine VIC Australia 3043
T: 61) 3 9330 8888
F: 61) 3 9330 8899

Melbourne Showroom
Schiavello (Vic) Pty Ltd
Metropol
8 Whiteman Street
Southbank VIC Australia 3006
T: 61) 3 9674 1500
F: 61) 3 9674 1650

Adelaide
Schiavello (SA) Pty Ltd
Ground Floor, 101 Currie Street
Adelaide SA Australia 5000
T: 61) 8 8112 2300
F: 61) 8 8231 1419

Brisbane
Schiavello (Qld) Pty Ltd
265 Coronation Drive
Milton QLD Australia 4064
T: 61) 7 3368 3388
F: 61) 7 3368 2125

Canberra
Schiavello (ACT) Pty Ltd
2-6 Collie Street
Fyshwick ACT Australia 2609
T: 61) 2 6124 0500
F: 61) 2 6280 4370

Perth
Schiavello (WA) Pty Ltd
1315 Hay Street
West Perth WA Australia 6005
T: 61) 8 9420 6588
F: 61) 8 9322 1337

Sydney
Schiavello (NSW) Pty Ltd
49 Campbell Street
Surry Hills NSW Australia 2010
T: 61) 2 9211 3311
F: 61) 2 9212 3788

Singapore
Schiavello Singapore Pte Ltd
No.1 Magazine Road
#01-05 Central Mall
Singapore 059567
T: 65) 6533 8011
F: 65) 6533 2811

schiaavello

schiaavello.com
SCH/MF-02

Schiaavello Group Pty Ltd reserves the right to change any or all details without prior notice. All dimensions stated within this document are nominal and/or approximate only and subject to variation.

schiaavello

Systemet
Durable Metal Storage

Schiavello Metal Storage Solutions



Schiavello's Systemet is an intelligent way to manage workplace storage.

A versatile system, Systemet's built-in cupboards, shelves, drawers and accessories are designed to suit your office storage requirements.

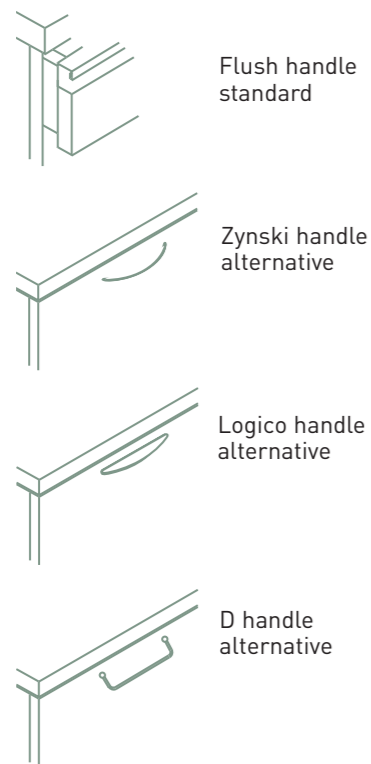
Systemet offers a variety of configurations that create flexibility and space-efficiency to easily maintain your work environment.

index

2-3	Systemet Metal Storage Solutions - Introduction	14	Tall Mobile Pedestal - Systemet Four Drawer
4-5	Systemet Durable Metal Storage - Descriptions	15	Tall Mobile Pedestal - Systemet Three Drawer
6	Vertical Tambour Door Cupboard	16	Tall Mobile Pedestal - Systemet Two Drawer
7	Horizontal Tambour Door Cupboard	17	Pedestal - 390/T Pedestal - 390/L
8	Retractable Door Cupboard	18	Pedestal - 280/T Pedestal - 280/L
9	Hinged Door Cupboard	19	Mobile Personal File Unit
10	Shelf Cupboard	20	Tambour Hamper Overhead Storage Unit
11	Lateral File	21	Flip Up Hamper Overhead Storage Unit
12	Low Mobile Pedestal - Systemet Three Drawer	22	Systemet Office Environment - Floor plan
13	Low Mobile Pedestal - Systemet Two Drawer	23	Warranty Details

Systemet Durable Metal Storage

Systemet is manufactured from Australian-made durable 0.95mm zinc-seal steel to provide additional strength, with anti-rust properties to reduce any potential rusting, withstanding years of wear. All metal components are powder-coated to International Standards ISO9001/9002 in any one of the stylish Schiavello scheduled finishes, with optional finishes available.



Cupboards

The base of **cupboards** and lateral files are constructed of a tubular metal frame to provide additional torsional strength. Adjustments can be made through screw adjustable floor levellers.

All shelf cupboard units are supplied with metal adjustable support (adjustment in 50mm increments), with shelves constructed from 0.95mm zinc-seal steel materials and powder-coated to match cupboards. Shelf dividers are optional.

Doors

Doors are constructed of 0.95mm zinc-seal steel material and dual skin construction for additional door strength, minimising any twist or torsional deformation. The locking system comprises of four points of contact (positioned in the base and the head of both doors). Lock barrels are available in a single or multi key system (keyed alike). Doors are also available in timber veneer finishes or laminates. Metal flush handles form an integral part of the metal door structure, incorporated into the single fabrication of the outer door skin.

Retractable Door Unit

Retractable Door Unit doors are designed to partially retract into the main body of the unit.

Vertical Tambour Unit

The **Vertical Tambour Unit** is fitted with two separate equal width vertically fitted tambour doors constructed from PVC extrusion, and is available in Schiavello's scheduled finishes. The tambour doors are concealed in a recess and guided by a purpose built plastic moulded track and return system fitted to both ends of the tambour. The handle is a recessed style handle, constructed from powder-coated aluminium extrusion and fitted with a locking mechanism, that simultaneously locks both doors.

Horizontal Tambour Unit

The **Horizontal Tambour Unit** is fitted with two equal height horizontally fitted tambour doors. Both doors provide a simultaneous opening and closing action. The tambour doors are concealed in a recess.

Lateral File Units

Lateral File units' carcass and drawers are constructed of 0.95mm zinc-seal steel. All Systemet lateral file units have additional anti-tilt weights fitted to the rear of the units.

Drawer Fronts

Drawer fronts are of 0.95mm double skin zinc-seal steel. The recessed style drawer front handles are incorporated into a single fabrication onto the drawer front. Locking is provided by a standard Schiavello gang lock that also provides an anti-tilt function to ensure safety. Optional timber veneer or laminate drawer fronts are also available.

Drawers

All **drawers** are fitted on runners of an appropriate weight to meet International standards (optional Accuride heavy-duty runners available). A standard Schiavello gang lock provides locking capability. Lock barrels are available in a single or multi key system (keyed alike).

Mobile Pedestals

For **Mobile Pedestals**, all major body, drawer and drawer front components are manufactured from 0.95mm zinc-seal steel. The main body of the unit is fabricated, and then all components are welded together. Three additional 6x50mm braces are fitted to the main body, top and bottom, and welded into position to provide extra torsional strength. The lower file drawer is fitted with a castor to the forward position, reducing the ability of the unit to tilt forward when the drawer is fully open. A plastic injection moulded pencil drawer is fitted as an individual drawer. Pencil trays are available to fit box drawers. Optional timber veneer or laminate drawer fronts are also available.

Flip Up Door Hamper

Flip Up Door Hampers have a recessed style handle that is incorporated into a single fabrication onto the door. The hinge mechanism offers a 90-degree flip action that is concealed into the vertical section of the hamper body. Runners are fitted to both hinges, with the door's Accuride ball race sliding over the top mechanism. Locks are fitted to the bottom central position of the doors. An optional gas-lift mechanism is available to ease the operation of the outward lifting action of the door and prevents falling of the door. Base trim panels and task lighting is also available to fit under the hamper.

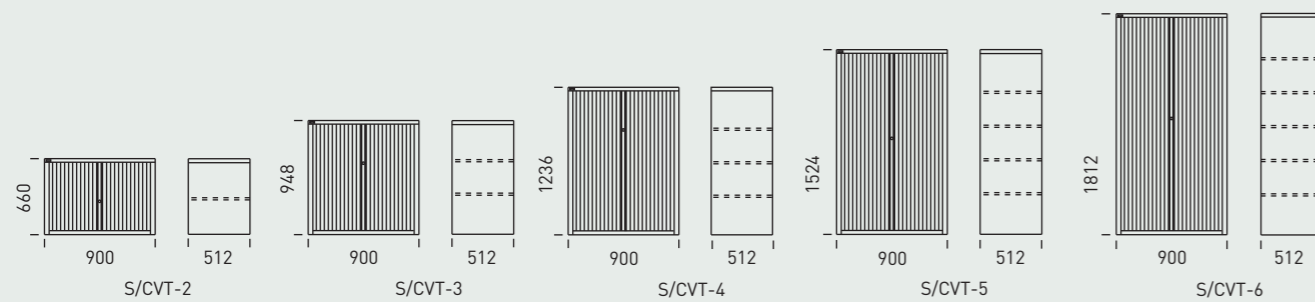
Tambour Door Hamper

Tambour Door Hamper doors are constructed from PVC extrusion and are available in Schiavello's standard colour range. The tambour is guided by a purpose built side panel and return system fitted to the vertical sections of the unit. Each section of the door is fitted with a recessed style handle constructed from powder-coated aluminium extrusion and fitted with a standard Schiavello locking mechanism.



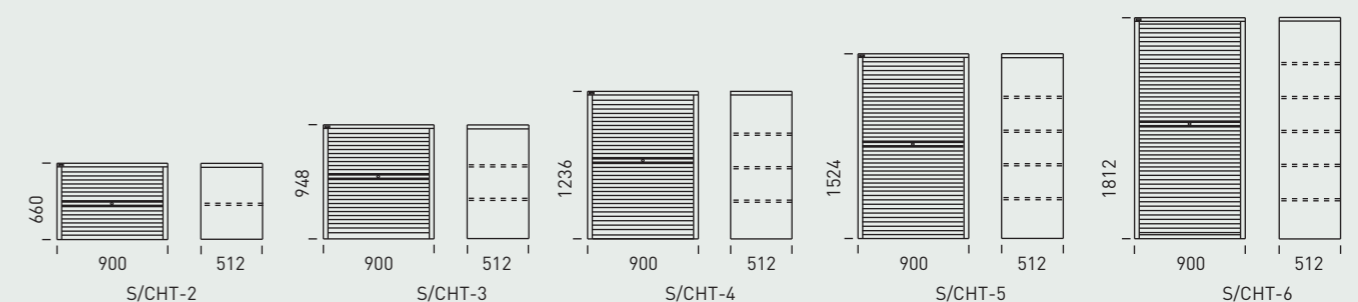
Vertical Tambour Door Cupboard

Construction - 0.95mm zinc-seal steel, anti-rust carcass and shelves.
 Powder-coated finish available in selected colours. PVC tambour doors with locking system.
 Adjustable shelving with shelf dividers optional.



Horizontal Tambour Door Cupboard

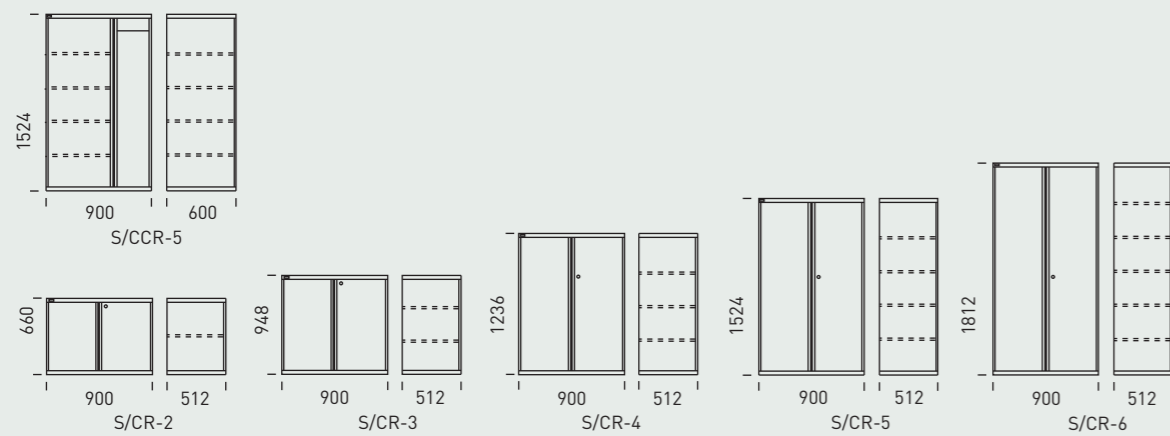
Construction - 0.95mm zinc-seal steel, anti-rust carcass and shelves.
 Powder-coated finish available in selected colours. PVC tambour doors with locking system.
 Adjustable shelving with shelf dividers optional.





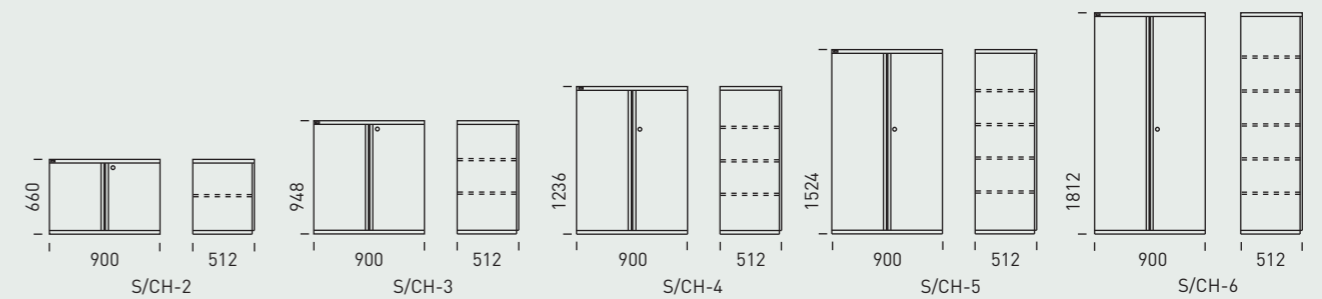
Retractable Door Cupboard

Construction - 0.95mm zinc-seal steel, anti-rust carcass, shelves and doors.
 Powder-coated finish available in selected colours. Doors fitted with locking system to both doors.
 Chrome coat rail. Adjustable shelving with shelf dividers optional. Timber doors optional.



Hinged Door Cupboard

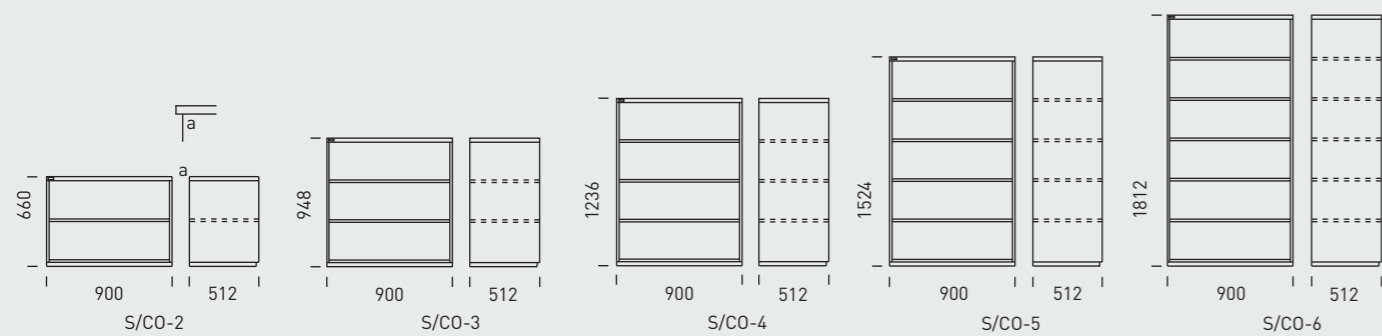
Construction - 0.95mm zinc-seal steel, anti-rust carcass, shelves and doors.
 Powder-coated finish available in selected colours. Doors fitted with locking system to both doors.
 Adjustable shelving with shelf dividers optional. Timber doors optional.





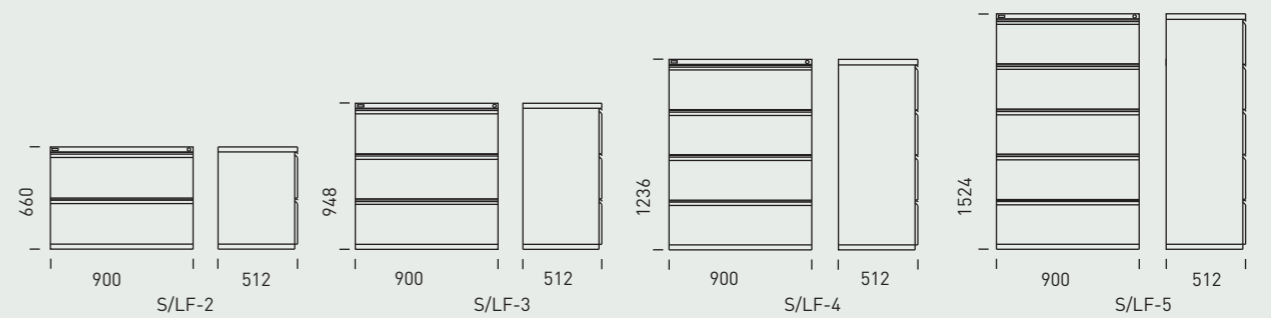
Shelf Cupboard

Construction - 0.95mm zinc-seal steel anti-rust, carcass and shelves.
 Powder-coated finish available in selected colours. Adjustable shelving with shelf dividers optional.



Lateral File

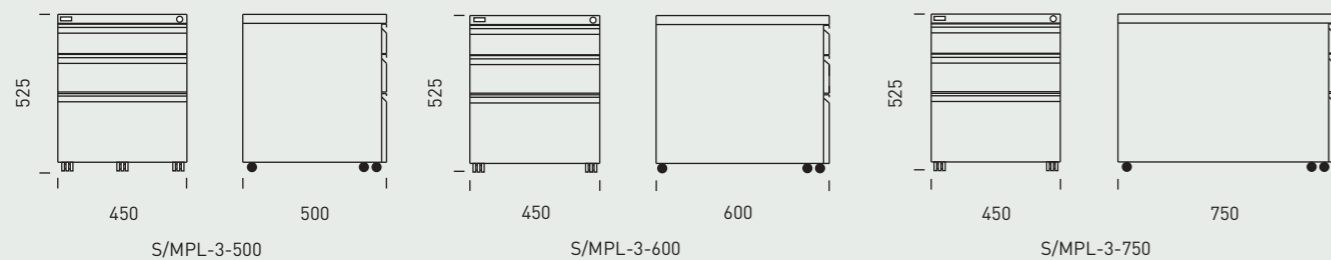
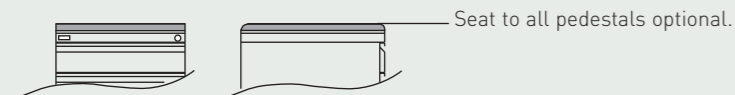
Construction - 0.95mm zinc-seal steel, anti-rust carcass and drawers.
 Powder-coated finish available in selected colours. Fitted with anti-tilt and locking system.
 Timber drawer fronts optional.





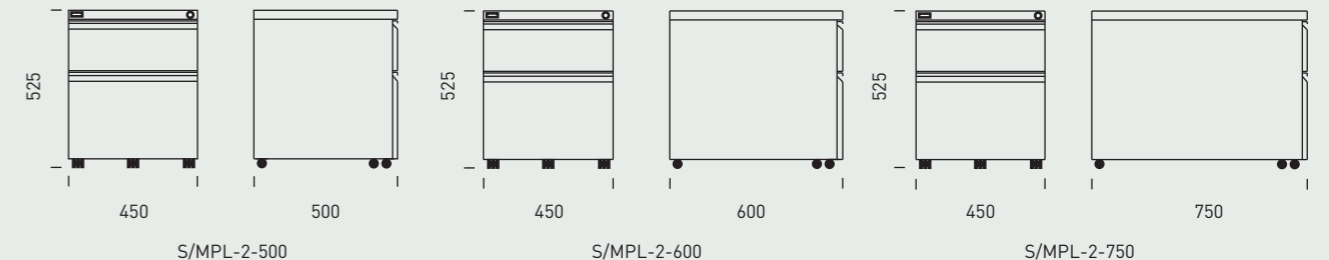
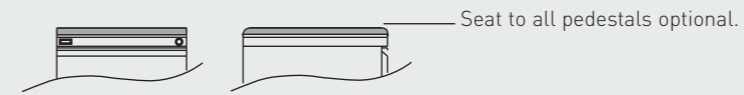
Low Mobile Pedestal - Systemet Three Drawer

Construction - 0.95mm zinc-seal steel, anti-rust carcass and drawers.
 Powder-coated finish available in selected colours. Drawers fitted on runners and with locking system.
 Plastic injection moulded pencil drawer. Timber front optional.



Low Mobile Pedestal - Systemet Two Drawer

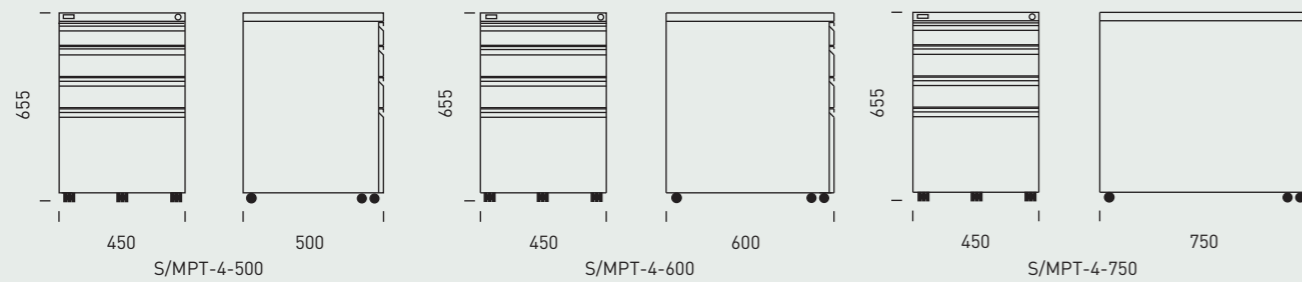
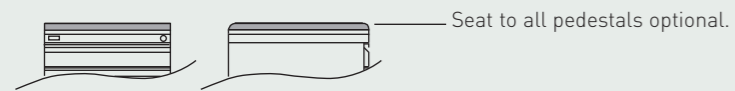
Construction - 0.95mm zinc-seal steel, anti-rust carcass and drawers.
 Powder-coated finish available in selected colours. Drawers fitted on runners and with locking system.
 Timber front optional. Pencil tray optional.





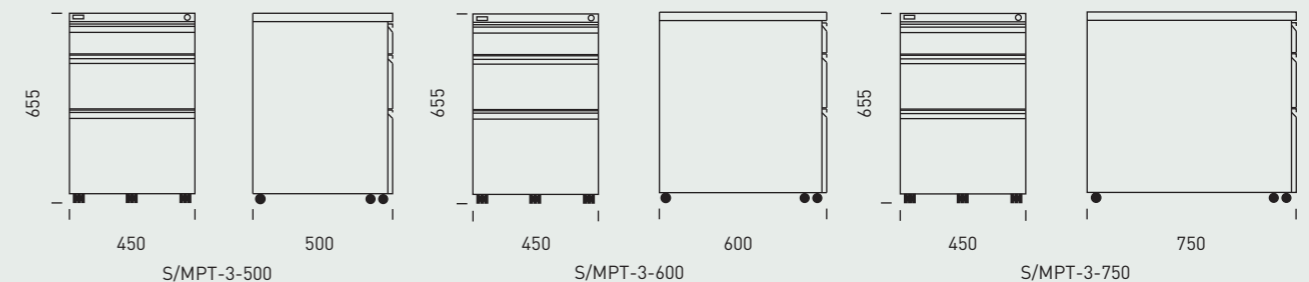
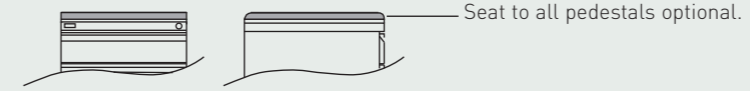
Tall Mobile Pedestal - Systemet Four Drawer

Construction - 0.95mm zinc-seal steel, anti-rust carcass and drawers.
 Powder-coated finish available in selected colours. Drawers fitted on runners and with locking system.
 Plastic injection moulded pencil drawer. Timber front optional.



Tall Mobile Pedestal - Systemet Three Drawer

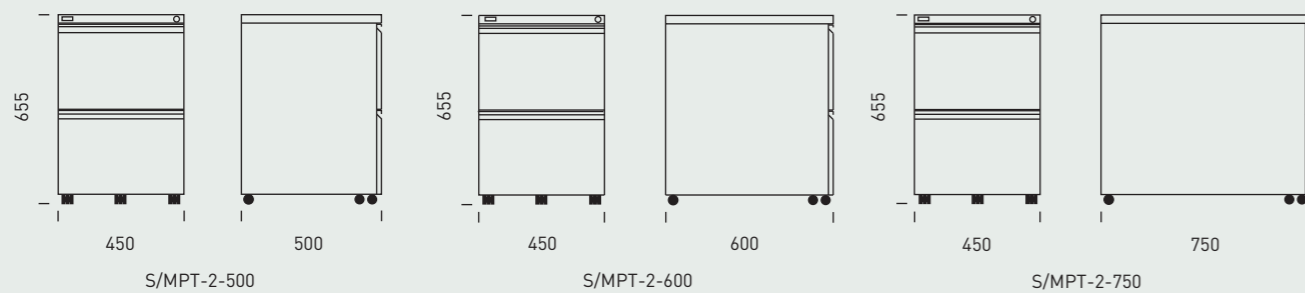
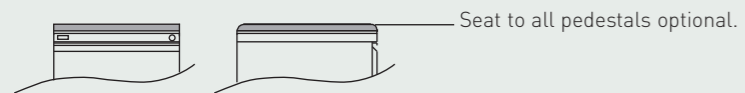
Construction - 0.95mm zinc-seal steel, anti-rust carcass and drawers.
 Powder-coated finish available in selected colours. Drawers fitted on runners and with locking system.
 Timber front optional. Pencil tray optional.





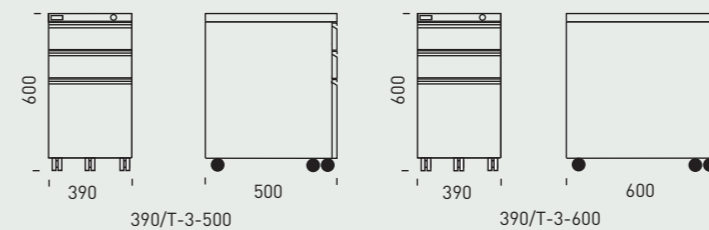
Tall Mobile Pedestal - Systemet Two Drawer

Construction - 0.95mm zinc-seal steel, anti-rust carcass and drawers.
 Powder-coated finish available in selected colours. Drawers fitted on runners and with locking system.
 Timber front optional.



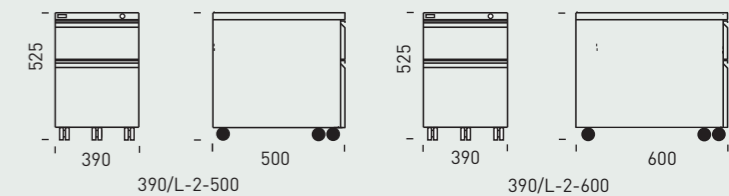
Pedestal - 390/T

Construction - 0.95mm zinc-seal steel, anti-rust carcass and drawers. Powder-coated finish available in selected colours.
 Drawers fitted on runners and with locking system.
 Timber front optional.



Pedestal - 390/L

Construction - 0.95mm zinc-seal steel, anti-rust carcass and drawers. Powder-coated finish available in selected colours.
 Drawers fitted on runners and with locking system.
 Timber front optional.





Pedestal - 280/T

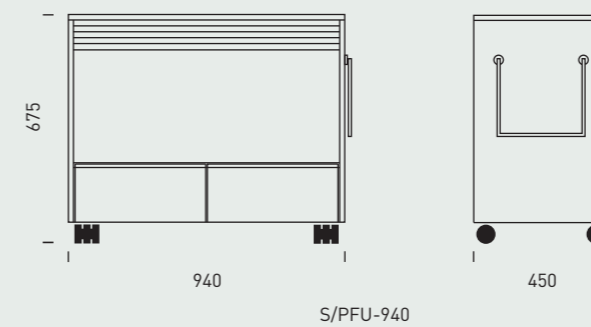
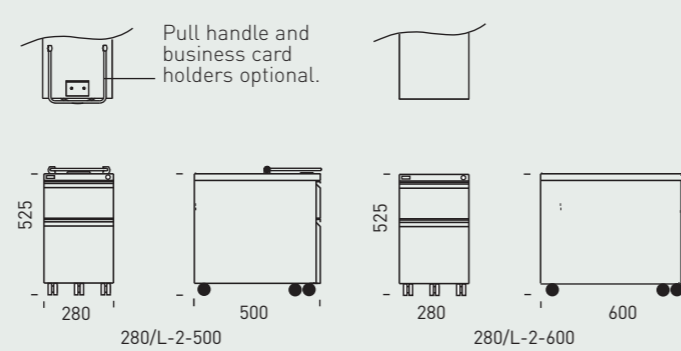
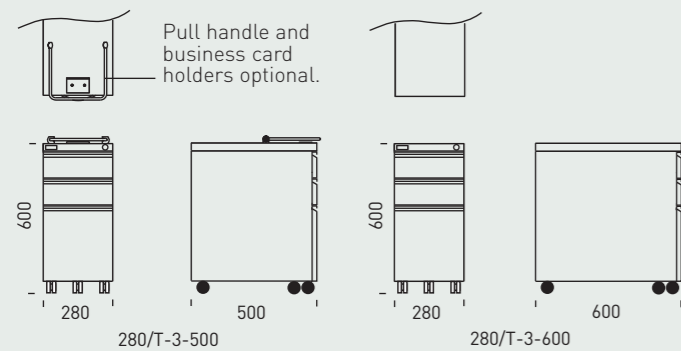
Construction - 0.95mm zinc-seal steel, anti-rust carcass and drawers. Powder-coated finish available in selected colours. Drawers fitted on runners and with locking system. Timber front optional.

Pedestal - 280/L

Construction - 0.95mm zinc-seal steel, anti-rust carcass and drawers. Powder-coated finish available in selected colours. Drawers fitted on runners and with locking system. Timber front optional.

Mobile Personal File Unit

Construction - 0.95mm zinc-seal steel, anti-rust carcass, doors and drawers. Powder-coated finish available in selected colours. Locking system to door and drawers. Aluminium door trims and pencil tray. Doors fitted on runners.



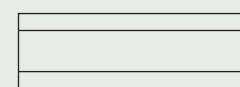
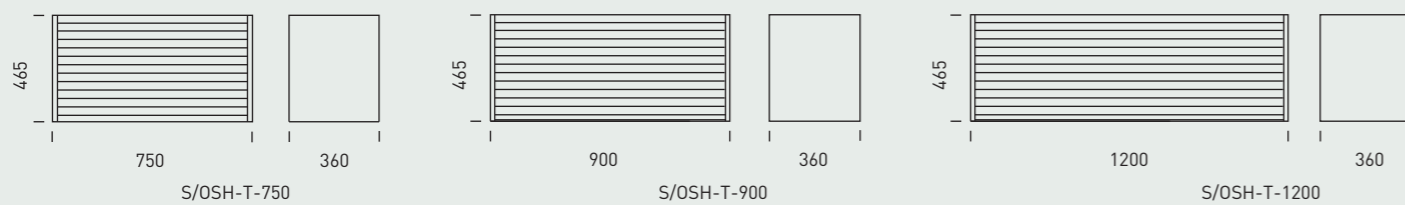


Tambour Hamper Overhead Storage

Flip Up Hamper Overhead Storage

Construction - 0.95mm zinc-seal steel, anti-rust carcass and doors.
Powder-coated finish available in selected colours. PVC tambour door with locking system.

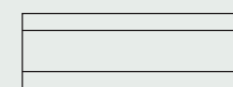
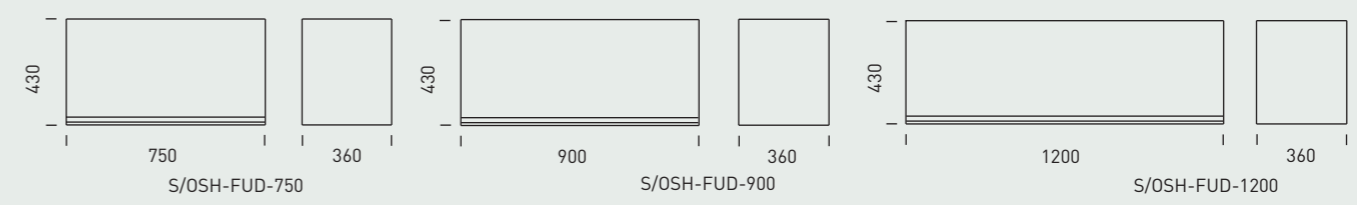
Construction - 0.95mm zinc-seal steel, anti-rust carcass and doors.
Powder-coated finish available in selected colours. Locking system. Timber front optional.



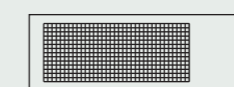
optional trim panel fitted under hamper
to suit all hamper sizes
TP-750, TP-900, TP-1200



optional task light fitted under hamper
to suit 900 x 1200mm hamper only
TL-750, TL-900, TL-1200

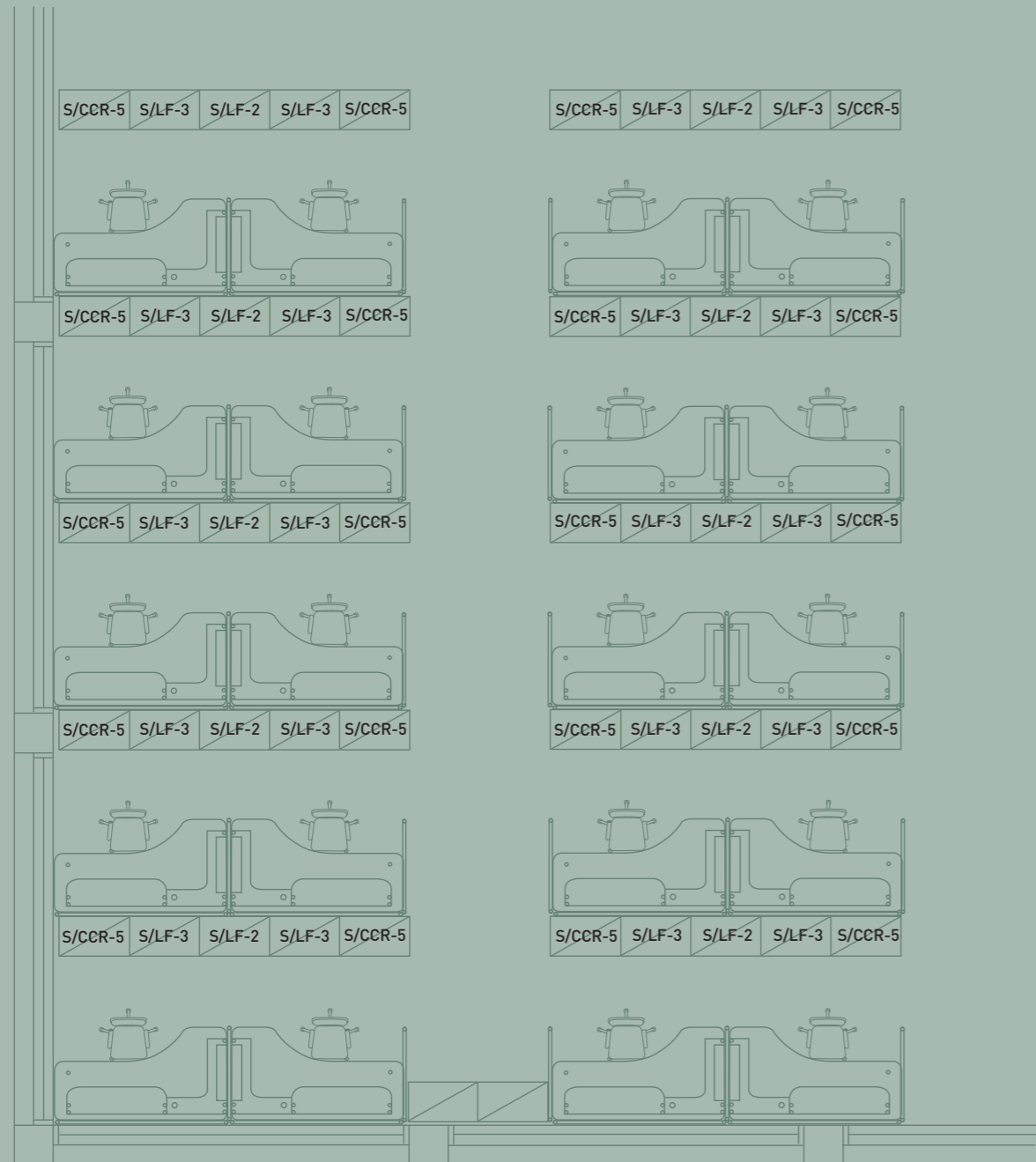


optional trim panel fitted under hamper
to suit all hamper sizes
TP-750, TP-900, TP-1200



optional task light fitted under hamper
to suit 900 x 1200mm hamper only
TL-750, TL-900, TL-1200

Systemet Office Environment



Warranty details

Subject to any express or implied statutory requirements, Schiavello gives the following warranty.

Schiavello conditionally warrants its new product to be free from defects in material and workmanship for five years from the date of manufacture.

5 Year Conditional Warranty

Schiavello undertakes to replace or repair (at its option) any component found to be faulty in material or workmanship within a period of five years from the date of manufacture.

All inspections, repairs or replacements will be carried out at Schiavello's operating facility. If Schiavello's inspection finds the part to be faulty in material or workmanship, work will be carried out at no cost.

Warranty Terms and Conditions

- This warranty extends only to the original purchaser who acquires new Schiavello products. This warranty is non-transferable.
- Schiavello's conditional warranty is only offered on the basis that the product is used for the purpose for which it was built.
- This warranty covers defects in material and workmanship. Normal wear and tear and natural variations are not considered defects. The warranty does not apply to damage caused by accident, neglect, misuse or improper operation.
- All maintenance and repair work must be carried out by an authorised Schiavello representative. If any person other than an authorised Schiavello representative carries out any maintenance or repair work, the warranty is deemed null and void.
- This warranty is a return to the manufacturer warranty. All costs associated with the return of the product to the manufacturer are borne by the purchaser.
- If a product is found to be defective, and written notice of the defect is given to Schiavello within the warranty period, Schiavello (at its option) will either repair or replace the defective part, product or component covered by this warranty.

For more information contact your local Schiavello representative
Telephone 1300 366 236 Schiavello International 61-3-9330 8800 www.schiavello.com