



Technology Column



technical





120° Technology Column

Accessible power, data and communications delivery via a space efficient, highly functional triangular structure.

Index

- standard cluster options **02**
- cable reticulation **02**
- panel junction options **02**
- top caps **03**
- standard models **03**
- freestanding base **04**
- panel connecting brackets **04**
- interpower **04**
- product specification **04**



120° technology column

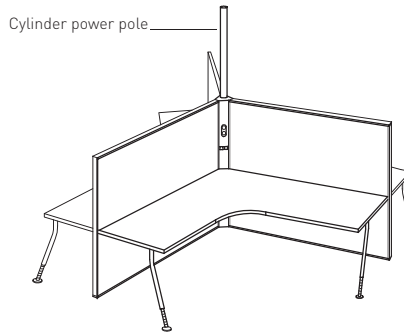
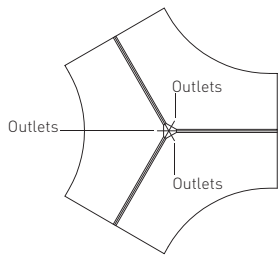
standard cluster options | cable reticulation | panel junction options

The 120° Technology Column has been designed to integrate with both System 30 and System 45 panels as well as freestanding applications. Cables can be reticulated from the ceiling via a standard Schiavello Umbilical or Cylinder Power Pole or alternatively from the floor through the base of the column. For larger clusters cables can also be reticulated from Tech Column to Tech Column by using panel mounted cable reticulation trays.

Panels connect to each corner recess of the Tech Column via attaching brackets, forming 3 way 120° workstation clusters. Freestanding applications are achieved with the addition of a circular metal base.

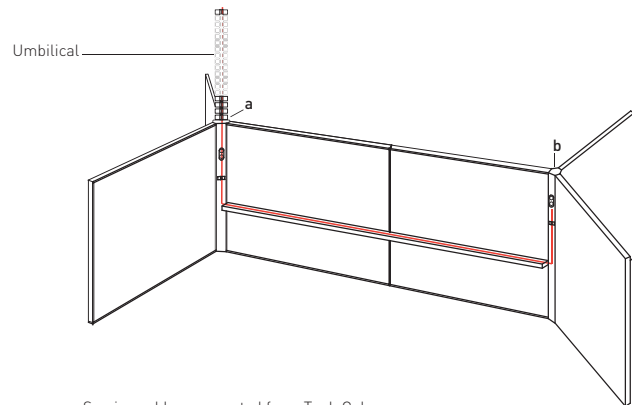
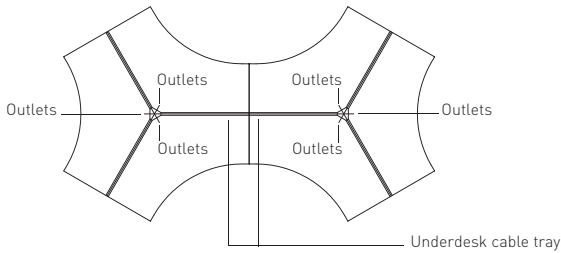
TYPICAL 120° 3-WORKSTATION CLUSTER

Using system 30 or system 45 panels with Tech Column



TYPICAL 120° 6-WORKSTATION CLUSTER

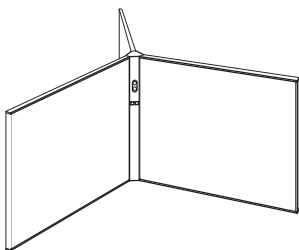
Using system 30 or system 45 panels with 2 Tech Columns



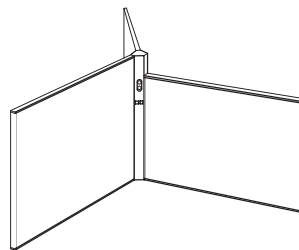
Service cables are routed from Tech Column **a** to Tech Column **b** via underdesk cable tray attached to panel

PANEL TO TECH COLUMN JUNCTION OPTIONS

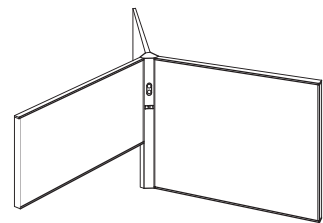
By use of the appropriate panel connecting brackets System 30 or System 45 panels can be attached to the verticals at each corner of the Tech Column. They can be positioned at any height on the vertical allowing junctions of common height, transition height or panels suspended from the floor.



common height panels



transition height panels

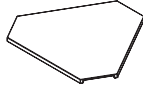
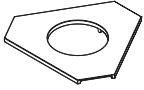


suspended and floor standing panels

120° technology column

top caps | standard models | 1050 mm high | 1200 mm high | 1100 mm high | 1350 mm high

TOP CAPS



type a

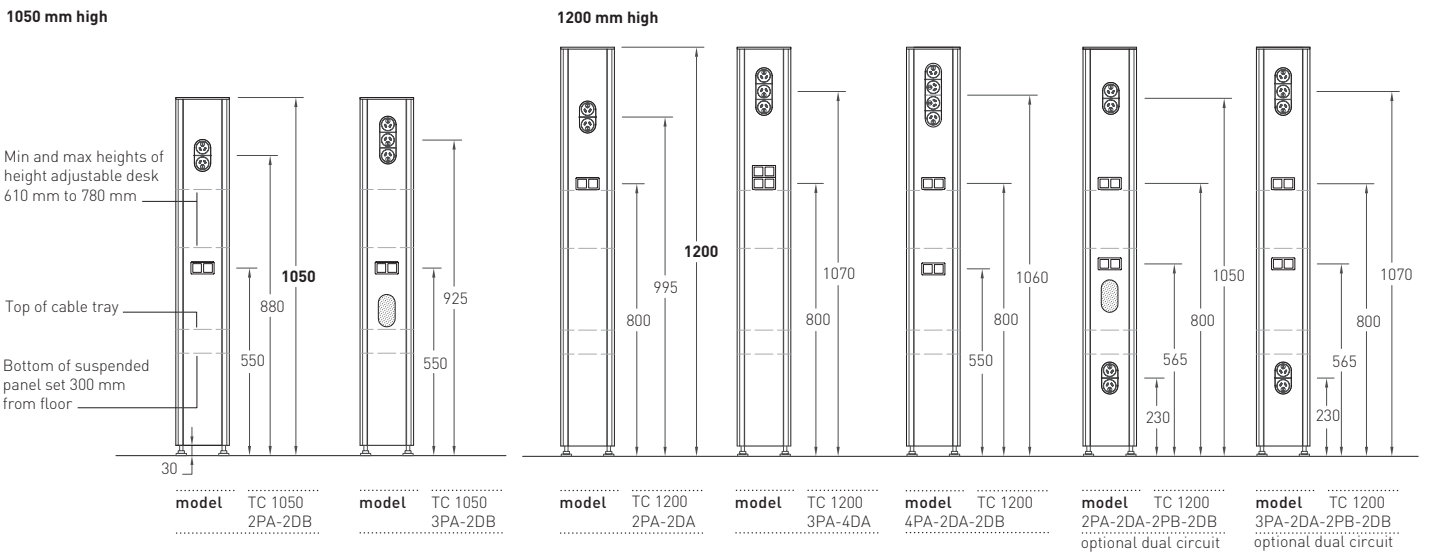
With opening to accept Umbilical or cylinder power pole for top entry of cables

type b

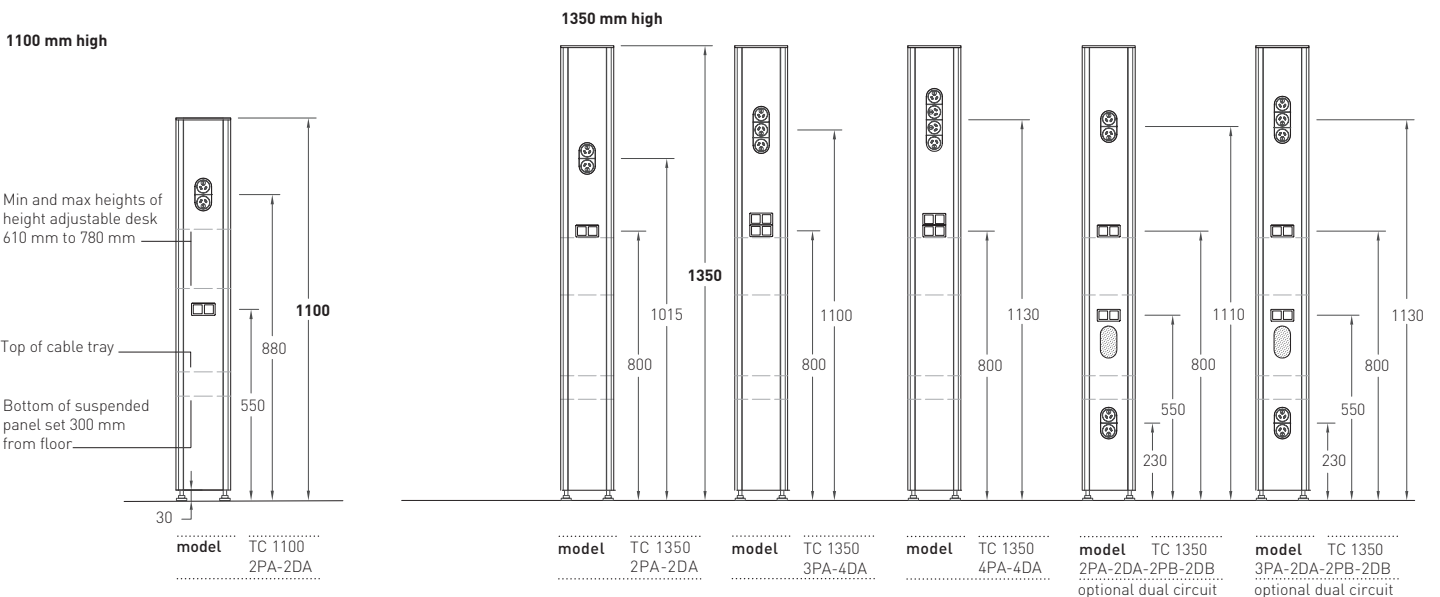
Solid top for bottom or below desk top cable entry

STANDARD TECH COLUMN OUTLET OPTIONS

1050 mm high



1100 mm high



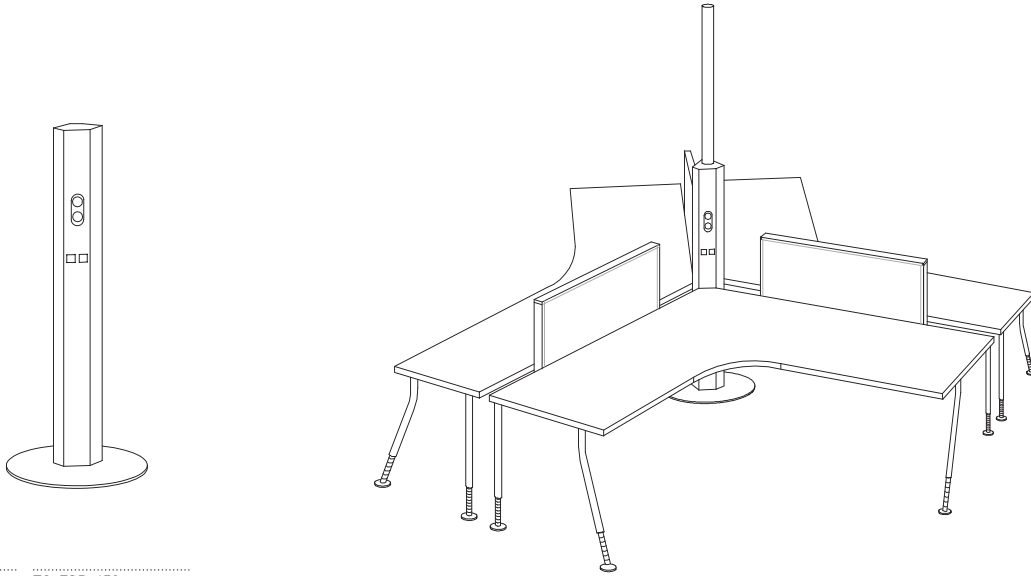
optional single exit/entry for tech column to tech column application

120° technology column

freestanding base | panel connecting brackets | interpower

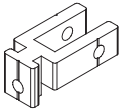
FREESTANDING BASE

Attaches to bottom of Tech Column providing a stable base in lieu of connecting p. panels. 450 mm diam. steel plate construction



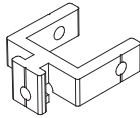
code TC-FSB-450
Freestanding base

PANEL CONNECTING BRACKETS



code S30 J120.3W.TC

System 30
Tech Column to System 30
panel connecting brackets
(Qty 2 -required per panel)



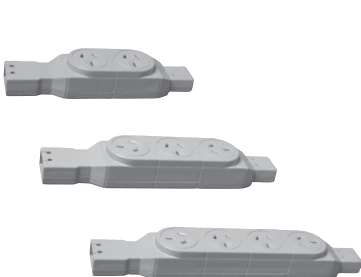
code S45 J120.3W.TC

System 45
Tech Column to System 45
panel connecting brackets
(Qty 2 -required per panel)

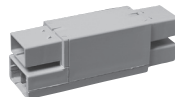
INTERPOWER SOFTWIRING SYSTEM

The Tech Column is powered by the Schiavello Interpower electrical soft wiring system. All connections within the Interpower System are protected by a positive lock mechanism to prevent accidental power disconnection. All components are factory tested and are reusable.

Refer to Schiavello Interpower brochure SCH/W05-C for complete product information and technical specification



code PM2H
code PM2H1VL
code PM4VL



code JB-S
Junction box



code SS
Starter sockets



code EX-S00 (add length
i.e. 600m lead =
EX-S00600)
Extension leads



code UMB
Umbilical

Specification of 120° technology column

general | cable reticulation | aluminium finish | warranty

General

The 120° Technology Column with Interpower Softwiring is manufactured by Schiavello Australia.

The column has high rigidity construction with sufficient strength and means to connect and support workstation panels, types System 30 and System 45. Panels can be of common height, transition heights, floor standing or suspended.

Adjustable floor leveling feet are an integral component of the design as is the ability of the column to freestand when fitted with the optional flat plate base for non panel connected applications.

Cable Reticulation

The system includes integrated components that provide efficient means of routing services cabling to the Technology Column from the ceiling, walls or floor. Such as umbilicals or power poles.

The column is of sufficient dimension to accommodate power and data service cables and outlets for three workstations with either single or dual power circuits. The column has a removable face allowing easy set-up and service access.

The soft wiring electrical system is Schiavello Interpower certified AS/NZS 3131. The column is suitable for data cables up to and including cat 5e, cat 6, cat 6a and cat 7. (The particular data sockets intended for use with cat 6a and cat 7 should be advised at time of order) .

Aluminium Finish

All aluminium is powdercoated to Australian Standard AS-NZ 3570. Colour as specified.

Warranty

The Technology Column is covered by a 5 year warranty against faulty materials and workmanship that includes a guarantee to supply parts of all standard components and service for a period of not less than 10 years from date of installation.



